

# MEDIUM VOLTAGE CABLE LUGS

(Special Sizes)

Use for Copper Conductor.

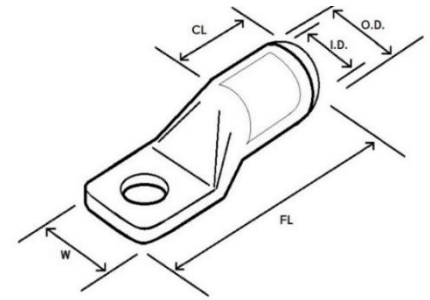
Crimp Type for Hexagon and Indent Die.

Corona relief taper end for application up to 33 kV.

High Conductivity Copper : 99% I.A.C.S

Copper Purity : 99.9%

Finishing : Tin Plated



Copper Tube compliant to MS1540.

Size (mm <sup>2</sup> )	Stud hole	Item code	FL	CL	OD	ID	W	Crimping Tool	Hexagon Die A/F	No. Of Crimps
*16	M12	CLMV-16-12	45	13	7.8	5.6	20.0	TCCP-300	6.4	1
*25	M16	CLMV-25-16	62	20	9.3	7.0	23.5	TCCP-300	7.7	1
*35	M16	CLMV-35-16	62	21	10.8	8.4	25.4	TCCP-300	8.9	1
50	M12	CLMV-50-12	56	22	12.5	9.5	21.0	TCCP-300	10.3	1
*70	M16	CLMV-70-16	66	25	14.4	11.2	25.6	TCCP-300	11.9	1
*95	M16	CLMV-95-16	70	25	17.5	13.5	25.8	TCCP-300	14.5	1
120	M16	CLMV-120-16	74	27	19.0	14.6	31.5	TCCP-300	15.7	2

**Notes:**

1. All dimensions are in mm.
2. \*Non-stock items. Available upon request, subject to lead time and availability.
3. Special long barrel, multi-hole and other dimension customizations are available upon request.

