

HEAT SHRINK RIGHT ANGLE BOOT

Used for medium voltage up to 33kV. Protection against flashover and surge.

Features:

- Anti-tracking
- Excellent insulation performance
- UV and weather resistance

Colour standard: Red

Operating Temperature: -40°C to +110°C

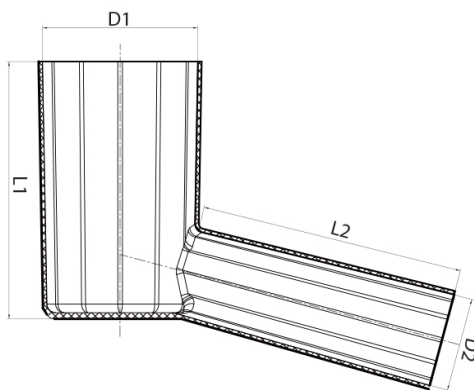
Application Cable Cross-sectional Range:

11kV: 25 - 300mm²

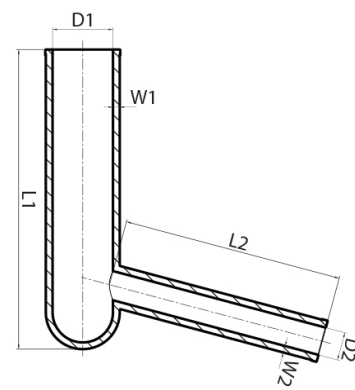
33kV: 25 - 120mm²



Expanded



Recovered



Item Code	Expanded				Recovered					
	D1 (min)	D2 (min)	L1 (min)	L2 (min)	D1 (max)	D2 (max)	L1 (max)	L2 (max)	W1 (min)	W2 (min)
IAME-MRAB-80/36-50/18	80	50	100	115	36	18	110	80	3.8	3.8

Notes:

1. All dimensions are in mm.