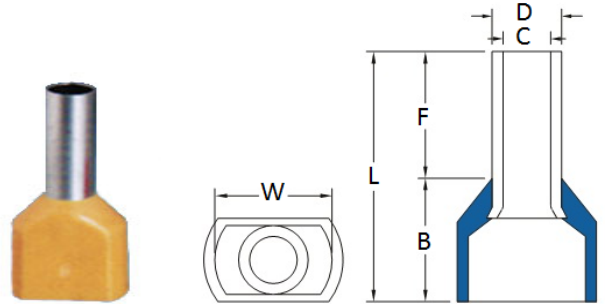


CORD END TERMINAL (TWIN FERRULE)

- 1) Material : Copper tube with tin plated
- 2) Insulation : Nylon 66
- 3) UL File : E96029



Item Code	Size (mm ²)	F	B	L	D	C	W	COLOR		Packing Unit
								German	French	
ITAI-CT215008	2 x 1.50	8.0	7.5	15.5	2.6	2.3	6.4	RED	BLACK	500 pcs
		12.0		19.5						
ITAI-CT225010	2 x 2.50	10.0	8.5	18.5	3.3	2.9	8.0	BLUE	GREY	500 pcs
		13.0		21.5						
ITAI-CT240012	2 x 4.00	12.0	11.1	23.1	4.2	3.8	8.8	GREY	ORANGE	500 pcs
ITAI-CT260014	2 x 6.00	14.0	12.1	26.1	5.3	4.9	9.5	BLACK	GREEN	500 pcs
ITAI-CT2100014	2 x 10.0	14.0	12.6	26.6	6.9	6.5	12.6	IVORY	BROWN	500 pcs
ITAI-CT2160014	2 x 16.0	14.0	17.3	31.3	8.7	8.3	19.0	GREEN	IVORY	500 pcs

Notes:

- 1. All dimensions are in mm.

