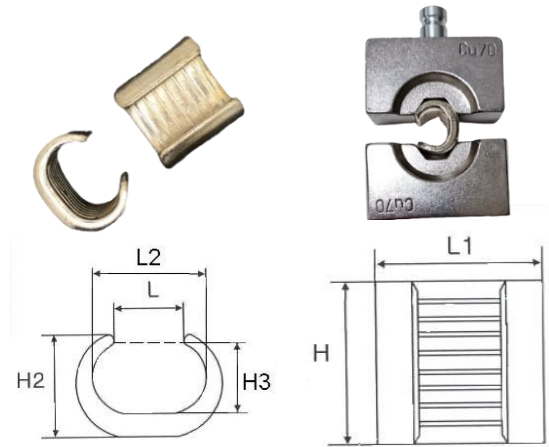


# 'C' TYPE CONNECTOR

Use for Copper Conductor.  
 Dimpled and serrated to provide high pull-out value.  
 Chamfered edges design to protect the cables.

High Conductivity Copper : 99% I.A.C.S  
 Copper Purity : 99.9%  
 Finishing : Tin Plated Min 3-microns



Type	Item code	L	L1	L2	H	H2	H3	Conductor Range (mm <sup>2</sup> )	Crimping Tool	Hexagon Die A/F	No. Of Crimps
U-T44	CCUT-44	8.3	19.0	12.4	20.0	14.0	8.1	27-44	TCCP-400	CU70	1
U-T60	CCUT-60	10.8	21.4	15.3	22.5	15.0	10.0	45-60	TCCP-400	CU95	1
U-T76	CCUT-76	9.5	24.0	16.7	22.5	17.0	10.7	61-76	TCCP-400	CU120	1
U-T98	CCUT-98	14.5	28.0	21.2	25.0	19.0	13.4	77-98	TCCP-400	CU150	1
U-T122	CCUT-122	14.0	29.3	21.3	26.0	21.0	14.5	99-122	TCCP-400	CU185	1
U-T154	CCUT-154	17.0	35.0	23.8	28.0	25.0	16.8	123-154	TCCP-400	CU240	1
U-T190	CCUT-190	17.0	36.5	28.2	35.0	25.0	17.2	155-190	TCCP-400	CU300	2
U-T240	CCUT-240	20.0	40.0	30.2	40.0	29.0	21.3	191-240	TCCP-400	CU400	2
U-T288	CCUT-288	22.0	44.0	34.2	45.0	32.0	22.9	241-288	TCCP-630	CU400	2
U-T365	CCUT-365	27.5	48.0	37.6	50.0	34.0	24.2	289-365	TCCP-630	CU500	2
U-T450	CCUT-450	28.0	55.0	41.9	60.0	41.0	27.6	366-450	TCCP-630	CU630	3

**Notes:**

1. All dimensions are in mm.

