

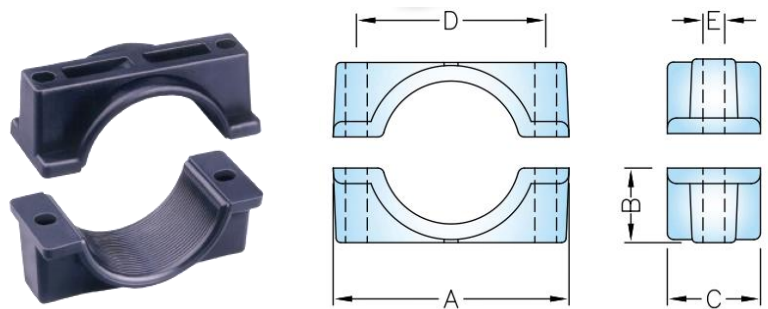
# TF CABLE CLEATS

These are Nylon cable cleats specially designed to withstand high mechanical bursting forces associated with fault current encountered in cable installation.

Suitable for fixing of single cable with outer diameter ranging from 19mm to 134mm. Mounting can be done easily on all type of channels.

## NYLON (V2)

- UV Resistance
- Chemical/corrosion resistant
- UL-94 flame class V-2
- High impact resistance
- Heat distortion temperature 220°C



Brand: TF

Sizes available for Cable Cleats on Single Cable.

Item Code	Cable Dia.	Std. Pack	Dimension (mm)				
			A	B	C	D	E
ACCC-TF1923	19-23	12 sets	55	15	25	39	7
ACCC-TF2428	24-28	12 sets	61	18	25	45	7
ACCC-TF2935	29-35	12 sets	68	21	30	53	7
ACCC-TF3644/30 (S)	36-44	12 sets	76	24	30	61	7
ACCC-TF4554	45-54	12 sets	102	32	60	80	11
ACCC-TF5569	55-69	12 sets	113	36	65	92	11
ACCC-TF7083	70-83	6 sets	133	45	70	112	11
ACCC-TF84106	84-106	6 sets	157	55	75	135	14
ACCC-TF107116	107-116	6 sets	190	63	75	158	14
ACCC-TF117134	117-134	6 sets	204	73	100	172	14
ACCC-TF135155	135-155	6 sets	230	80	100	190	14
ACCC-TF156180	156-180	6 sets	247	94	100	210	14

Note:

1. All dimension are in mm.
2. Please consult with our sales personnel before order.