

LOW VOLTAGE CABLE LUGS

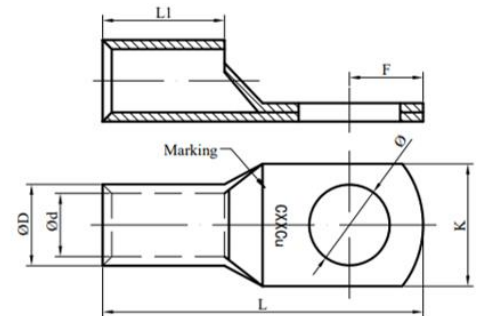
Use for Copper Conductor.

Crimp Type for Hexagon and Indent Die.

High Conductivity Copper : 99% I.A.C.S

Copper Purity : 99.9%

Finishing : Tin Plated



Compliant to MS1540 (Malaysian Standard).

Size (mm ²)	Stud hole	Item code	L	L1	ØD	Ød	K	Crimping Tool	Hexagon Die A/F	No. Of Crimps
1.5	M5	CLMS-1.5-5	18	6.5	3.35	1.75	8.0	TCCK-10	Indent	1
2.5	M5	CLMS-2.5-5	19	7.0	3.90	2.3	8.0	TCCK-10	Indent	1
4	M5	CLMS-4-5	21	7.5	4.70	3.0	8.0	TCCK-10	Indent	1
6	M6	CLMS-6-6	24	8.0	5.30	3.6	9.8	TCCK-10	Indent	1
10	M6	CLMS-10-6	25	9.0	6.30	4.3	10.5	TCCK-10	Indent	1
16	M8	CLMS-16-8	32	12.0	7.80	5.6	12.5	TCCP-300	6.4	1
25	M8	CLMS-25-8	35	14.0	9.30	7.0	13.5	TCCP-300	7.7	1
35	M10	CLMS-35-10	42	15.0	10.80	8.4	16.0	TCCP-300	8.9	1
50	M10	CLMS-50-10	46	18.0	12.50	9.5	18.0	TCCP-300	10.3	1
70	M12	CLMS-70-12	51	19.0	14.40	11.2	20.7	TCCP-300	11.9	1
95	M12	CLMS-95-12	57	21.0	17.50	13.5	25.0	TCCP-300	14.5	1
120	M12	CLMS-120-12	62	28.0	19.00	14.6	26.5	TCCP-300	15.7	2
150	M16	CLMS-150-16	70	30.0	21.40	16.4	30.5	TCCP-300	17.6	2
185	M16	CLMS-185-16	78	32.0	23.70	18.5	34.0	TCCP-300/630	19.5	2/ 1
240	M16	CLMS-240-16	102	42.0	27.40	21.0	40.0	TCCP-300/630	22.6	3/ 2
300	M16	CLMS-300-16	110	44.0	30.50	23.5	45.0	TCCP-630	25.2	2
400	M16	CLMS-400-16	116	45.0	34.00	26.2	50.0	TCCP-630	28.5	2
500	M20	CLMS-500-20	135	52.0	38.60	30.0	55.0	TCCP-630	32.1	3
630	M20	CLMS-630-20	143	52.0	44.70	34.5	64.0	TCCP-630	37.0	3
800	BLANK	CLMS-800	170	66.0	48.60	37.0	71.5	TCCP-1000	41.6	3
1000	BLANK	CLMS-1000	200	86.0	53.40	40.2	79.5	TCCP-1000	46.2	3

Notes:

1. All dimensions are in mm.
2. Special long barrel, multi-hole and other dimension customizations are available upon request.

