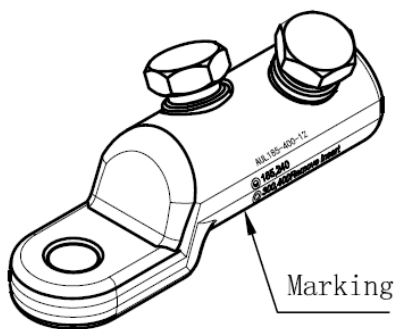
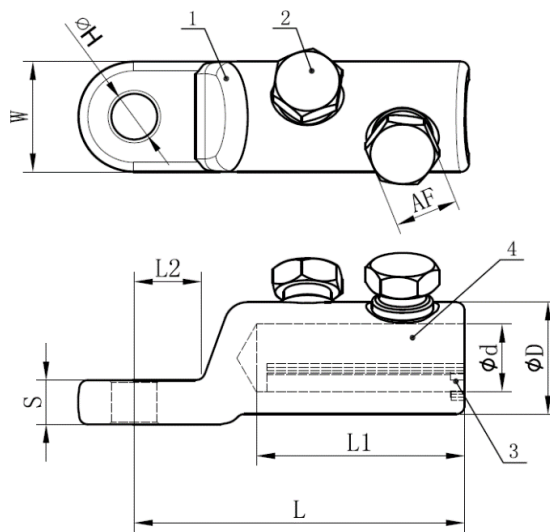


MECHANICAL LUG

A bolted alternative which does not require crimping tool or high operator skill. Bolts are torque-controlled to ensure clean and right shear-offs for a good contact. Made from high strength Aluminium alloy. **Surface is electro tin-plated.** It is suitable for use on termination of Aluminium or Copper cables. Solid palm eliminates ingress of moisture. All lugs are pre-filled with jointing compound and individually labeled. Suitable for a wide range of LV and MV applications.



- Component List
- 1 – Connector Body (Aluminium alloy)
 - 2 – Bolt (Aluminium alloy)
 - 3 – Insert (Aluminium alloy)
 - 4 – Contact Grease



Conduct or Size Range (mm)	Item code	Dimensions (mm)									No. of Bolt
		L	D	d	L1	W	S	L2	H	AF	
25-95	MLOA-AUL25-95-12/1L	64.6	24	13.3	32.5	24	9	18	13	13	1
35-150	MLOA-AUL35-150-12/2L	85	28	16	51	28	10	18	13	17	2
70-240	MLOA-AUL70-240-12/2L	97.7	33	20	61.5	33	13	18	13	19	2
*120-300	MLOA-AUL120-300-12/2L	106.7	38	24	67.5	38	14	18	13	22	2
120-300	MLOA-AUL120-300-16/2L	106.7	38	24	67.5	38	14	18	17	22	2
*185-400	MLOA-AUL185-400-12/3L	120	42	26	78	42	16	19	13	22	3
185-400	MLOA-AUL185-400-16/3L	120	42	26	78	42	16	19	17	22	3
*300-630	MLOA-AUL300-630-12/3L	140	52	33	90	51.5	20	24.5	13	24	3
300-630	MLOA-AUL300-630-16/3L	140	52	33	90	51.5	20	24.5	17	24	3

