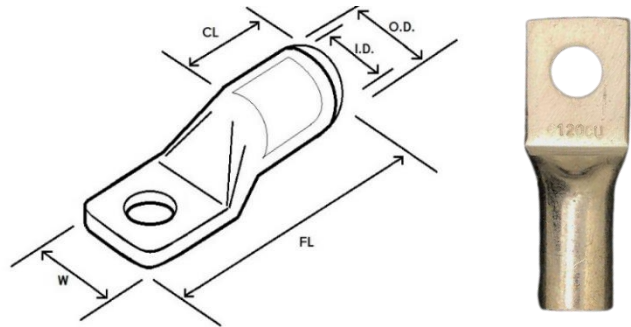


# MEDIUM VOLTAGE CABLE LUG

Use for Copper Conductor.  
 Crimp Type for Hexagon and Indent Die.  
 Corona relief taper end for application up to 33 kV.

High Conductivity Copper : 99% I.A.C.S  
 Copper Purity : 99.9%  
 Finishing : Tin Plated

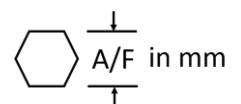
Copper tube compliant to MS1540.



Size	Stud hole	Item code	FL	CL	OD	ID	W	Crimping Tool	Hexagon Die A/F	No. Of Crimps
16mm <sup>2</sup>	M8	CLMV-16-8	35	13	7.8	5.6	12.0	TCCP-300	6.4	1
25mm <sup>2</sup>	M8	CLMV-25-8	48	20	9.3	7.0	13.5	TCCP-300	7.7	1
35mm <sup>2</sup>	M10	CLMV-35-10	52	21	10.8	8.4	16	TCCP-300	8.9	1
50mm <sup>2</sup>	M10	CLMV-50-10	55	22	12.5	9.5	18.0	TCCP-300	10.3	1
70mm <sup>2</sup>	M12	CLMV-70-12	63	25	14.4	11.2	20.5	TCCP-300	11.9	1
95mm <sup>2</sup>	M12	CLMV-95-12	66	25	17.5	13.5	25.0	TCCP-300	14.5	1
120mm <sup>2</sup>	M12	CLMV-120-12	73	27	19.0	14.6	28.0	TCCP-300	15.7	2
150mm <sup>2</sup>	M16	CLMV-150-16	78	30	21.4	16.4	31.5	TCCP-300	17.6	2
185mm <sup>2</sup>	M16	CLMV-185-16	82	32	23.7	18.5	35.0	TCCP-300/630	19.5	2/1
240mm <sup>2</sup>	M16	CLMV-240-16	115	50	27.4	21.0	40.0	TCCP-300/630	22.6	3/2
300mm <sup>2</sup>	M16	CLMV-300-16	121	50	30.5	23.5	45.0	TCCP-630	25.2	2
400mm <sup>2</sup>	M16	CLMV-400-16	139	60	34.0	26.2	50.0	TCCP-630	28.5	2
500mm <sup>2</sup>	M20	CLMV-500-20	158	65	38.6	30.0	55.0	TCCP-630	32.1	3
630mm <sup>2</sup>	M20	CLMV-630-20	161	65	44.7	34.5	64.0	TCCP-630	37.0	3
800mm <sup>2</sup>	Blank	CLMV-800	170	66	48.6	37.0	71.5	TCCP-1000	41.6	3
1000mm <sup>2</sup>	Blank	CLMV-1000	200	86	53.4	40.2	79.5	TCCP-1000	46.2	3

Notes:

1. All dimensions are in mm.
2. Other dimension customizations are available upon request.
3. Palm Length for 800mm<sup>2</sup> is 60mm.
4. Palm Length for 1000mm<sup>2</sup> is 75mm.



**CONWAY**  
 Connecting Power

Tel : +6 03 5569 0600  
 H/P : +6 012 506 1068

Email : ask@conway.com.my  
 Web : www.conway.com.my