

# LOW VOLTAGE CABLE LUG

**(Special Sizes)**

Use for Copper Conductor.

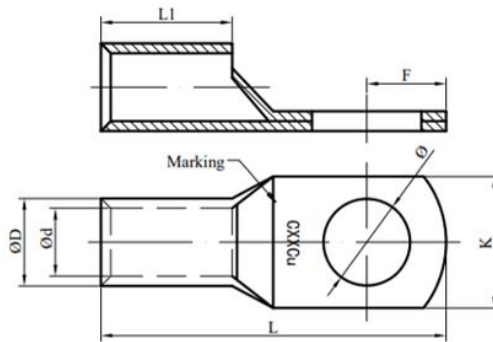
Crimp Type for Hexagon and Indent Die.

High Conductivity Copper : 99% I.A.C.S

Copper Purity : 99.9%

Finishing : Tin Plated

Compliant to MS1540 (Malaysian Standard)



Size	Stud hole	Item code	L	L1	ØD	Ød	K	Crimping Tool	Hexagon Die A/F	No. Of Crimps
2.5mm <sup>2</sup>	M6	CLMS-2.5-6	19.00	7.00	3.9	2.3	8.00	TCCK-10	Indent	1
4mm <sup>2</sup>	M6	CLMS-4-6	22.00	7.50	4.7	3.0	9.60	TCCK-10	Indent	1
6mm <sup>2</sup>	M8	CLMS-6-8	28.00	9.00	5.3	3.6	12.20	TCCK-10	Indent	1
10mm <sup>2</sup>	M8	CLMS-10-8	29.00	10.00	6.3	4.3	12.25	TCCK-10	Indent	1
16mm <sup>2</sup>	M6	CLMS-16-6	32.00	12.00	7.8	5.6	11.76	TCCP-300	6.2	1
16mm <sup>2</sup>	M10	CLMS-16-10	33.30	12.60	7.8	5.6	14.50	TCCP-300	6.2	1
16mm <sup>2</sup>	M12	CLMS-16-12	42.10	12.50	7.8	5.6	18.00	TCCP-300	6.2	1
25mm <sup>2</sup>	M5	CLMS-25-5	34.00	14.00	9.3	7.0	13.50	TCCP-300	8.0	1
25mm <sup>2</sup>	M6	CLMS-25-6	35.50	14.00	9.3	7.0	13.50	TCCP-300	8.0	1
25mm <sup>2</sup>	M10	CLMS-25-10	36.30	14.00	9.3	7.0	16.20	TCCP-300	8.0	1
25mm <sup>2</sup>	M12	CLMS-25-12	38.90	14.00	9.3	7.0	18.00	TCCP-300	8.0	1
35mm <sup>2</sup>	M5	CLMS-35-5	38.00	15.00	10.8	8.4	16.00	TCCP-300	9.1	1
35mm <sup>2</sup>	M6	CLMS-35-6	37.00	15.00	10.8	8.4	15.50	TCCP-300	9.1	1
35mm <sup>2</sup>	M8	CLMS-35-8	37.00	15.00	10.8	8.4	15.50	TCCP-300	9.1	1
35mm <sup>2</sup>	M12	CLMS-35-12	47.50	16.00	10.8	8.4	20.30	TCCP-300	9.1	1
35mm <sup>2</sup>	M16	CLMS-35-16	54.00	15.00	10.8	8.4	25.30	TCCP-300	9.1	1
50mm <sup>2</sup>	M6	CLMS-50-6	46.00	18.00	12.5	9.5	18.00	TCCP-300	10.4	1
50mm <sup>2</sup>	M8	CLMS-50-8	46.00	18.00	12.5	9.5	18.00	TCCP-300	10.4	1
50mm <sup>2</sup>	M12	CLMS-50-12	48.30	18.20	12.5	9.5	20.00	TCCP-300	10.4	1
70mm <sup>2</sup>	M6	CLMS70-6	51.00	19.0	14.4	11.2	20.5	TCCP-300	11.5	1
70mm <sup>2</sup>	M8	CLMS-70-8	51.00	19.0	14.4	11.2	20.5	TCCP-300	11.5	1
70mm <sup>2</sup>	M10	CLMS-70-10	51.00	20.0	14.4	11.2	20.5	TCCP-300	11.5	1
70mm <sup>2</sup>	M16	CLMS-70-16	62.00	20.0	14.4	11.2	24.0	TCCP-300	11.5	1



**CONWAY**  
Connecting Power

Tel : +6 03 5569 0600  
H/P : +6 012 506 1068

Email : ask@conway.com.my  
Web : www.conway.com.my

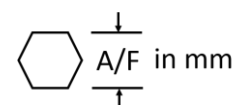
# LOW VOLTAGE CABLE LUG (Continue)

(Special Sizes)

Size	Stud hole	Item code	L	L1	ØD	Ød	K	Crimping Tool	Hexagon Die A/F	No. Of Crimps
95mm <sup>2</sup>	M6	CLMS-95-6	57.00	21.0	17.5	13.5	25.5	TCCP-300	14.2	1
95mm <sup>2</sup>	M8	CLMS-95-8	57.00	21.0	17.5	13.5	25.5	TCCP-300	14.2	1
95mm <sup>2</sup>	M10	CLMS-95-10	57.00	21.0	17.5	13.5	25.5	TCCP-300	14.2	1
95mm <sup>2</sup>	M16	CLMS-95-16	63.00	21.0	17.5	13.5	25.5	TCCP-300	14.2	1
120mm <sup>2</sup>	M6	CLMS-120-6	62.00	28.0	19.0	14.6	27.4	TCCP-300	16.5	2
120mm <sup>2</sup>	M8	CLMS-120-8	62.00	28.0	19.0	14.6	27.4	TCCP-300	16.5	2
120mm <sup>2</sup>	M10	CLMS-120-10	62.00	28.0	19.0	14.6	27.4	TCCP-300	16.5	2
120mm <sup>2</sup>	M16	CLMS-120-16	68.50	28.0	19.0	14.6	27.5	TCCP-300	16.5	2
150mm <sup>2</sup>	M8	CLMS-150-8	70.00	30.0	21.4	16.4	31.0	TCCP-300	18.3	2
150mm <sup>2</sup>	M10	CLMS-150-10	70.00	30.0	21.4	16.4	31.0	TCCP-300	18.3	2
150mm <sup>2</sup>	M12	CLMS-150-12	70.00	30.0	21.4	16.4	31.5	TCCP-300	18.3	2
150mm <sup>2</sup>	M19	CLMS-150-19	80.00	30.0	21.4	16.4	32.0	TCCP-300	18.3	2
150mm <sup>2</sup>	M20	CLMS-150-20	81.00	30.0	21.4	16.4	32.0	TCCP-300	18.3	2
150mm <sup>2</sup>	M22	CLMS-150-22	80.00	30.0	21.4	16.4	32.0	TCCP-300	18.3	2
185mm <sup>2</sup>	M6	CLMS-185-6	78.00	32.0	23.7	18.5	34.4	TCCP-300/ TCCP-630	20.0	2/ 1
185mm <sup>2</sup>	M8	CLMS-185-8	78.00	32.0	23.7	18.5	34.4	TCCP-300/ TCCP-630	20.0	2/1
185mm <sup>2</sup>	M10	CLMS-185-10	78.00	32.0	23.7	18.5	34.4	TCCP-300/ TCCP-630	20.0	2/ 1
185mm <sup>2</sup>	M12	CLMS-185-12	78.00	32.0	23.7	18.5	34.4	TCCP-300/ TCCP-630	20.0	2/ 1
240mm <sup>2</sup>	M10	CLMS-240-10	102.00	42.0	27.4	21.0	40.0	TCCP-300/ TCCP-630	23.1	3/ 2
240mm <sup>2</sup>	M12	CLMS-240-12	102.00	42.0	27.4	21.0	40.0	TCCP-300/ TCCP-630	23.1	3/ 2
300mm <sup>2</sup>	M10	CLMS-300-10	110.00	44.0	30.5	23.5	45.0	TCCP-630	26.5	2
300mm <sup>2</sup>	M12	CLMS-300-12	110.00	44.0	30.5	23.5	45.0	TCCP-630	26.5	2
400mm <sup>2</sup>	M10	CLMS-400-10	118.00	45.0	34.0	26.2	50.0	TCCP-630	28.5	2
400mm <sup>2</sup>	M12	CLMS-400-12	116.00	45.0	34.0	26.2	50.0	TCCP-630	28.5	2
500mm <sup>2</sup>	M16	CLMS-500-16	135.00	52.0	38.6	30.0	55.0	TCCP-630	32.1	2
630mm <sup>2</sup>	M16	CLMS-630-16	143.00	52.0	44.7	34.5	64.2	TCCP-630	37.0	3

Notes:

- All dimensions are in mm.
- Special long barrel, multi-hole and other dimension customizations are available upon request.
- Please consult with our sales personnel before order.



**CONWAY**  
Connecting Power

Tel : +6 03 5569 0600  
H/P : +6 012 506 1068

Email : ask@conway.com.my  
Web : www.conway.com.my