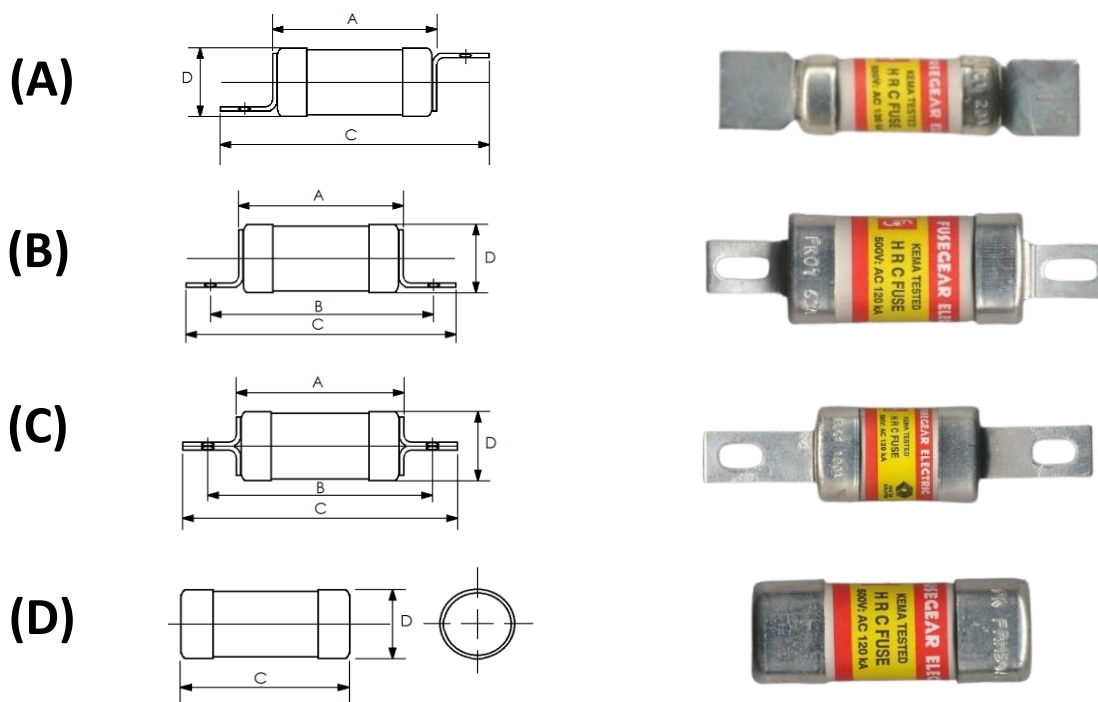


FUSEGEAR ELECTRIC H.R.C. FUSE LINK

(B.S. 88: Part 5: 1988, IEC 269)

KEMA TESTED



Type Ref.	Current Rating (A)	Breaking Capacity	Dimension				
			C (mm)	B (mm)	A (mm)	D (mm)	Type of tag
FE01 (A)	2,4,6,10,16,20,25,32	100kA at 500V	56.0	-	33.0	13.2	Staggered Blade
FE02 (B)	2,4,6,10,16,20,25,32	100kA at 500V	55.0	40.2	33.0	13.2	Offset
FG01 (B)	32	100kA at 500V	86.0	73.0	51.7	22.0	Offset
FK01 (B)	40,50,63	120kA at 500V	87.0	71.0	54.0	26.0	Offset
FL01 (C)	100	120kA at 500V	138.0	110.0	62.0	30.0	Central
FL03 (B)	80,100	120kA at 500V	111.0	94.0	64.0	30.0	Offset
FM01 (C)	125,160,200	120kA at 500V	135.0	108.0	65.5	41.5	Central
FN01 (C)	250,315,400	120kA at 500V	137.0	111.6	40.8	54.3	Central
FK-FRH (D)	15,30,40,50,60	120kA at 500V	57.0	-	-	22.2	NA
FL-FRH (D)	50,60,80,100	120kA at 500V	57.0	-	-	30.1	NA



CONWAY
Connecting Power

Tel : +6 03 5569 0600
H/P : +6 012 506 1068

Email : ask@conway.com.my
Web : www.conway.com.my