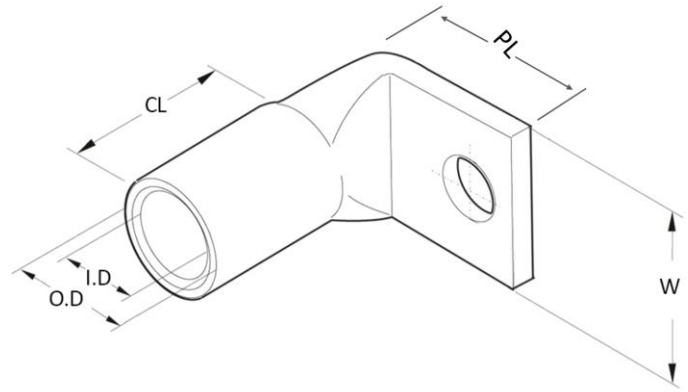


90 DEGREE CABLE LUG

Use for Copper Conductor.
Crimp Type for Hexagon and Indent Die.

High Conductivity Copper : 99% I.A.C.S
Copper Purity : 99.9%
Finishing : Tin Plated



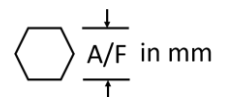
Copper tube compliant to MS1540



Size	Stud hole	PL	CL	OD	ID	W	Crimping Tool	Hexagon Die A/F	No. Of Crimps
16mm ²	M8	24	13	7.8	5.6	12.0	TCCP-300	6.4	1
25mm ²	M8	25	20	9.3	7.0	13.5	TCCP-300	7.7	1
35mm ²	M10	29	21	10.8	8.4	16.0	TCCP-300	8.9	1
50mm ²	M10	31	22	12.5	9.5	18.0	TCCP-300	10.3	1
70mm ²	M12	35	25	14.4	11.2	20.5	TCCP-300	11.9	1
95mm ²	M12	36	25	17.5	13.5	25.0	TCCP-300	14.5	1
120mm ²	M12	40	27	19.0	14.6	28.0	TCCP-300	15.7	2
150mm ²	M16	44	30	21.4	16.4	31.5	TCCP-300	17.6	2
185mm ²	M16	47	32	23.7	18.5	35.0	TCCP-300/630	19.5	2/ 1
240mm ²	M16	60	50	27.4	21.0	40.0	TCCP-300/630	22.6	3/ 2
300mm ²	M16	63	50	30.5	23.5	45.0	TCCP-630	25.2	2
400mm ²	M16	65	60	34.0	26.2	50.0	TCCP-630	28.5	2
500mm ²	M20	83	65	38.6	30.0	55.0	TCCP-630	32.1	3
630mm ²	M20	85	65	44.7	34.5	64.0	TCCP-630	37.0	3

Notes:

1. All dimensions are in mm.
2. Other dimension customizations are available upon request.
3. Please consult with our sales personnel before order.



CONWAY
Connecting Power

Tel : +6 03 5569 0600
H/P : +6 012 506 1068

Email : ask@conway.com.my
Web : www.conway.com.my