

MECHANICAL LUG

A bolted alternative which does not require crimping tool or high operator skill.

Bolts are torque-controlled to ensure clean and right shear-offs for a good contact.

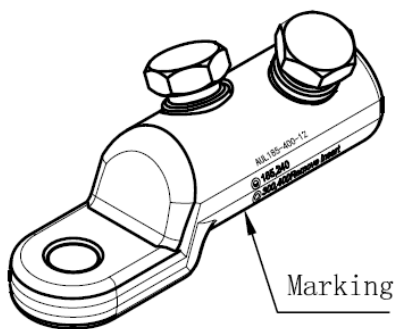
Made from high strength Aluminium alloy. **Surface is electro tin-plated.**

It is suitable for use on termination of Aluminium or Copper cables.

Solid palm eliminates ingress of moisture.

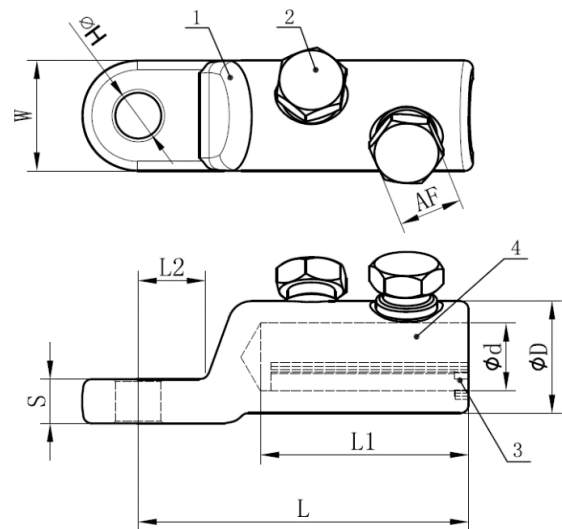
All lugs are pre-filled with jointing compound and individually labeled.

Suitable for a wide range of LV and MV applications.



Component List

- 1 – Connector Body (Aluminium alloy)
- 2 – Bolt (Aluminium alloy)
- 3 – Insert (Aluminium alloy)
- 4 – Contact Grease



Conductor Size Range (mm)	Item code	Dimensions (mm)									No. of Bolt
		L	D	d	L1	W	S	L2	H	AF	
25-95	ALME-AUL25-95-12/1L	64.6	24	13.3	32.5	24	9	18	13	13	1
35-150	ALME-AUL35-150-12/2L	85	28	16	51	28	10	18	13	17	2
70-240	ALME-AUL70-240-12/2L	97.7	33	20	61.5	33	13	18	13	19	2
*120-300	ALME-AUL120-300-12/2L	106.7	38	24	67.5	38	14	18	13	22	2
120-300	ALME-AUL120-300-16/2L	106.7	38	24	67.5	38	14	18	17	22	2
*185-400	ALME-AUL185-400-12/3L	120	42	26	78	42	16	19	13	22	3
185-400	ALME-AUL185-400-16/3L	120	42	26	78	42	16	19	17	22	3
*300-630	ALME-AUL300-630-12/3L	140	52	33	90	51.5	20	24.5	13	24	3
300-630	ALME-AUL300-630-16/3L	140	52	33	90	51.5	20	24.5	17	24	3

*No restock once finished.



CONWAY
Connecting Power

Tel : +6 03 5569 0600
H/P : +6 012 506 1068

Email : ask@conway.com.my
Web : www.conway.com.my