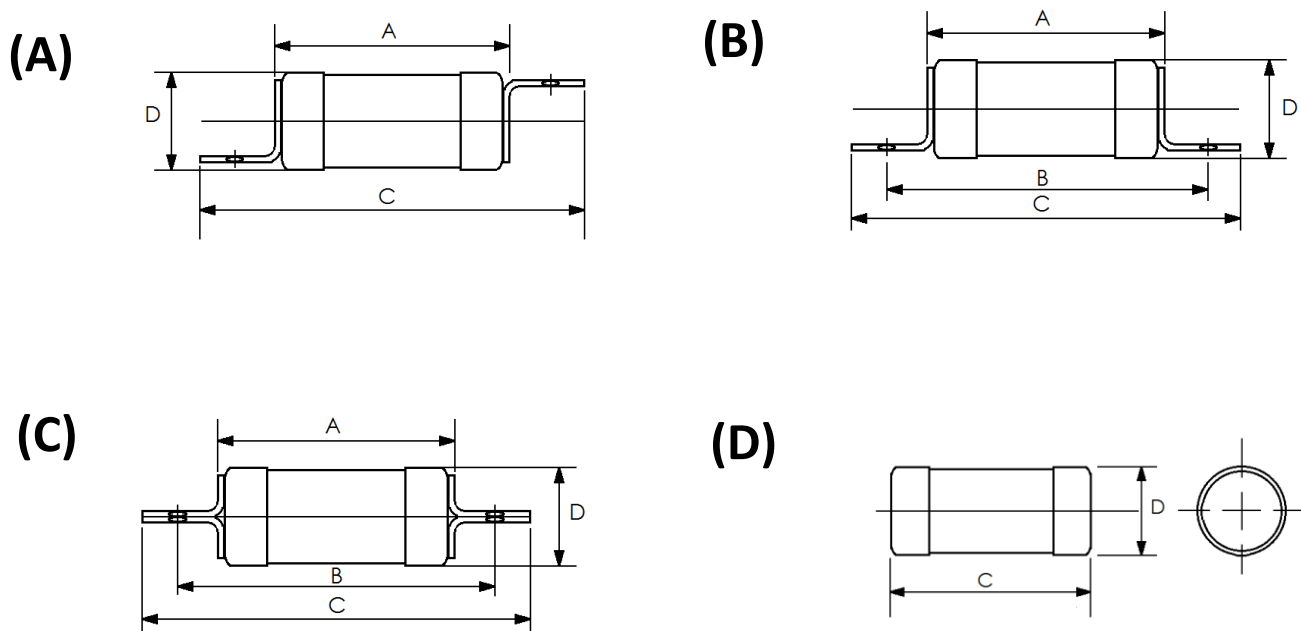


# FUSEGEAR ELECTRIC H.R.C. FUSE LINK

(B.S. 88: Part 5: 1988, IEC 269)

KEMA TESTED



| Type Ref.  | Current Rating (A)   | Breaking Capacity | Dimension |        |        |        | Type of tag     |
|------------|----------------------|-------------------|-----------|--------|--------|--------|-----------------|
|            |                      |                   | C (mm)    | B (mm) | A (mm) | D (mm) |                 |
| FE01 (A)   | 2,4,6,10,16,20,25,32 | 100kA at 500V     | 56.0      | -      | 33.0   | 13.2   | Staggered Blade |
| FE02 (B)   | 2,4,6,10,16,20,25,32 | 100kA at 500V     | 55.0      | 40.2   | 33.0   | 13.2   | Offset          |
| FG01 (B)   | 32                   | 100kA at 500V     | 86.0      | 73.0   | 51.7   | 22.0   | Offset          |
| FK01 (B)   | 40,50,63             | 120kA at 500V     | 87.0      | 71.0   | 54.0   | 26.0   | Offset          |
| FL01 (C)   | 100                  | 120kA at 500V     | 138.0     | 110.0  | 62.0   | 30.0   | Central         |
| FL03 (B)   | 80,100               | 120kA at 500V     | 111.0     | 94.0   | 64.0   | 30.0   | Offset          |
| FM01 (C)   | 125,160,200          | 120kA at 500V     | 135.0     | 108.0  | 65.5   | 41.5   | Central         |
| FN01 (C)   | 250,315,400          | 120kA at 500V     | 137.0     | 111.6  | 40.8   | 54.3   | Central         |
| FK-FRH (D) | 15,30,40,50,60       | 120kA at 500V     | 57.0      | -      | -      | 22.2   | NA              |
| FL-FRH (D) | 50,60,80,100         | 120kA at 500V     | 57.0      | -      | -      | 30.1   | NA              |



**CONWAY**  
Connecting Power

Tel : +6 03 5569 0600  
H/P : +6 012 506 1068

Email : ask@conway.com.my  
Web : www.conway.com.my