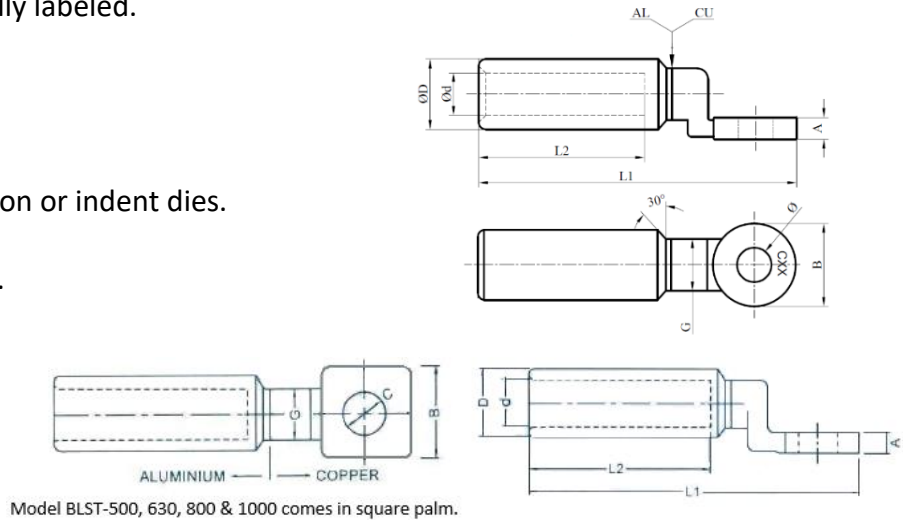


COPPER/ALUMINIUM BI-METAL LUG

This is a high-quality Al/Cu cable lug and it's suitable for connecting Aluminium conductors to Copper. It is made from solid Aluminium and Copper rod, friction welded. All lugs are pre-filled with jointing compound, plugged and individually labeled.

Copper : ETP Cu 99.9%
 Aluminium : Al 99.5%

Suitable to be crimped with hexagon or indent dies.
 Type tested as per IEC 61238.
 Product certified by TNB with SGP.



Size (mm ²)	Item Code	L1	L2	D	d	G	B	A	Ø	Conway Tools & Accessories				Number of Crimp
										Head Type	Containing Die Type	Indent or Type	Hexagon Die A/F	
16	BLST-16-10	80	43	16	5.5	12.0	20	4.0	10.5	CH-240	MA25	P25	13.2	2
25	BLST-25-10	80	43	16	6.5	12.0	20	4.0	10.5	CH-240	MA25	P25	13.2	2
35	BLST-35-10	80	43	16	8.5	12.0	20	4.0	10.5	CH-240	MA25	P25	13.2	2
50	BLST-50-12	88	43	20	9.5	14.8	24	5.0	12.8	CH-240	MA95	P95	16.5	2
70	BLST-70-12	88	43	20	11.0	14.8	24	5.0	12.8	CH-240	MA95	P95	16.5	2
95	BLST-95-12	88	43	20	12.5	14.8	24	5.0	12.8	CH-240	MA95	P95	16.5	2
120	BLST-120-12	110	59	25	13.7	18.8	30	6.0	12.8	CH-240	MA150	P150	20.6	2
150	BLST-150-12	110	59	25	15.5	18.8	30	6.0	12.8	CH-240	MA150	P150	20.6	2
185	BLST-185-12	116	59	32	17.0	23.8	35	7.0	12.8	CH-240	MA240	P240	26.4	2
240	BLST-240-12	116	59	32	19.5	23.8	35	7.0	12.8	CH-240	MA240	P240	26.4	2
300	BLST-300-16	155	93	40	23.3	28.0	36	7.5	16.5	CH-630	MA300	P500	33.0	2
400	BLST-400-16	155	93	40	26.0	28.0	36	7.5	16.5	CH-630	MA300	P500	33.0	2
500	BLST-500-16	195	94	47	29.1	36.8	60x60	10.0	16.5	CH-630	MA500	P500	38.8	2
630	BLST-630-16	195	94	47	32.5	36.8	60x60	10.0	16.5	CH-630	MA500	P500	38.8	2
800	BLST-800	260	125	60	39.0	45.0	80x80	10.0	Blank	CP-1000	-	-	49.5	-
1000	BLST-1000	260	125	60	43.0	45.0	80x80	10.0	Blank	CP-1000	-	-	49.5	-

Notes:

- All dimensions are in mm and meet the requirements of French Standard HN 68-S-90 and TNB Malaysia (Except for BLST-800 & BLST-1000).



CONWAY
 Connecting Power

Tel : +6 03 5569 0600
 H/P : +6 012 506 1068

Email : ask@conway.com.my
 Web : www.conway.com.my