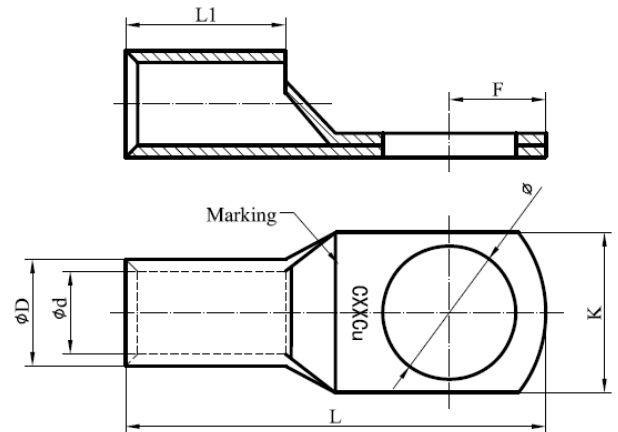


LOW VOLTAGE CABLE LUG

Use for Copper Conductor.
Crimp Type for Hexagon and Indent Die.

High Conductivity Copper : 99% I.A.C.S
Copper Purity : 99.9%
Finishing : Tin Plated

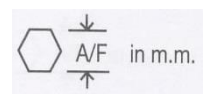
Compliant to MS1540 (Malaysian Standard).



Size	Stud hole	Item code	L	L1	ØD	Ød	K	Crimping Tool	Hexagon Die A/F	No. Of Crimps
1.5mm ²	M5	CLMS-1.5-5	18	6.5	3.35	1.75	8.0	TCCCK-10	Indent	1
2.5mm ²	M5	CLMS-2.5-5	19	7.0	3.90	2.3	8.0	TCCCK-10	Indent	1
4mm ²	M5	CLMS-4-5	21	7.5	4.70	3.0	8.0	TCCCK-10	Indent	1
6mm ²	M6	CLMS-6-6	24	8.0	5.30	3.6	9.8	TCCCK-10	Indent	1
10mm ²	M6	CLMS-10-6	25	9.0	6.30	4.3	10.5	TCCCK-10	Indent	1
16mm ²	M8	CLMS-16-8	32	12.0	7.80	5.6	12.5	TCCP-240	6.4	1
25mm ²	M8	CLMS-25-8	35	14.0	9.30	7.0	13.5	TCCP-240	7.7	1
35mm ²	M10	CLMS-35-10	42	15.0	10.80	8.4	16.0	TCCP-240	8.9	1
50mm ²	M10	CLMS-50-10	46	18.0	12.50	9.5	18.0	TCCP-240	10.3	1
70mm ²	M12	CLMS-70-12	51	19.0	14.40	11.2	20.7	TCCP-240	11.9	1
95mm ²	M12	CLMS-95-12	57	21.0	17.50	13.5	25.0	TCCP-240	14.5	1
120mm ²	M12	CLMS-120-12	62	28.0	19.00	14.6	26.5	TCCP-240	15.7	2
150mm ²	M16	CLMS-150-16	70	30.0	21.40	16.4	30.5	TCCP-240	17.6	2
185mm ²	M16	CLMS-185-16	78	32.0	23.70	18.5	34.0	TCCP-240/630	19.5	2/ 1
240mm ²	M16	CLMS-240-16	102	42.0	27.40	21.0	40.0	TCCP-240/630	22.6	3/ 2
300mm ²	M16	CLMS-300-16	110	44.0	30.50	23.5	45.0	TCCP-630	25.2	2
400mm ²	M16	CLMS-400-16	116	45.0	34.40	26.7	50.0	TCCP-630	28.5	2
500mm ²	M20	CLMS-500-20	135	52.0	38.60	30.0	55.0	TCCP-630	32.1	3
630mm ²	M20	CLMS-630-20	143	52.0	44.70	34.5	64.0	TCCP-630	37.0	3
800mm ²	BLANK	CLMS-800	170	66.0	50.60	39.0	71.5	TCCP-1000	41.6	3
1000mm ²	BLANK	CLMS-1000	200	86.0	56.20	43.0	79.5	TCCP-1000	46.2	3

Notes:

1. All dimensions are in mm.
2. Special long barrel, multi-hole and other dimension customizations are available on request.



CONWAY
Connecting Power

Tel : +6 03 5122 1223
Fax : +6 03 5121 1109

Email : ctm@conway.com.my
Web : www.conway.com.my